

ZETFON 400/310

General Features

The ZÖLLNER ZETFON 400/310 is a robust electrically operated whistle which is equally suitable for all types of merchant vessels as well as luxury yachts. The whistle operates on 24 V DC or on 230 V AC 1phase plus 24 V DC emergency supply.



Essentials

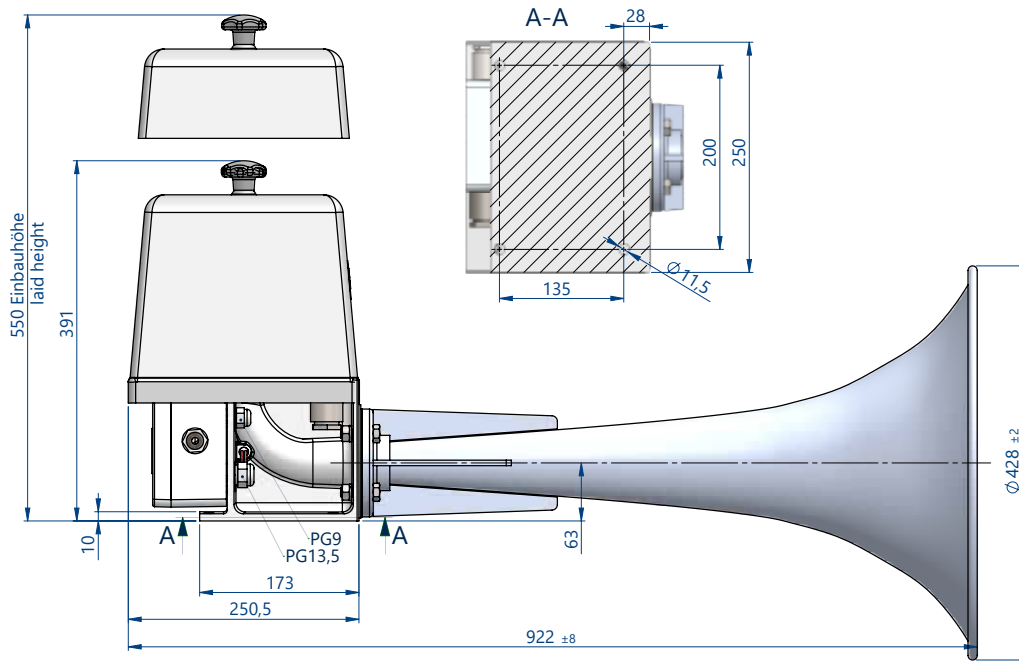
- » full compliance with the Colregs 1972
- » type approved by all wellknown international authorities, certificates by the classification societies on request
- » application:
 - vessels of 20 m but less than 75 m in length
 - land alarm, i.e. bunker stations, oil refineries, airports, powerplants, factories
- » system voltage: 24 V DC or 230 V AC 1phase plus 24 V DC emergency supply possible.
- » entirely made of best non-corrosion, seawaterresistant materials (no plastic!)

Sound Characteristics

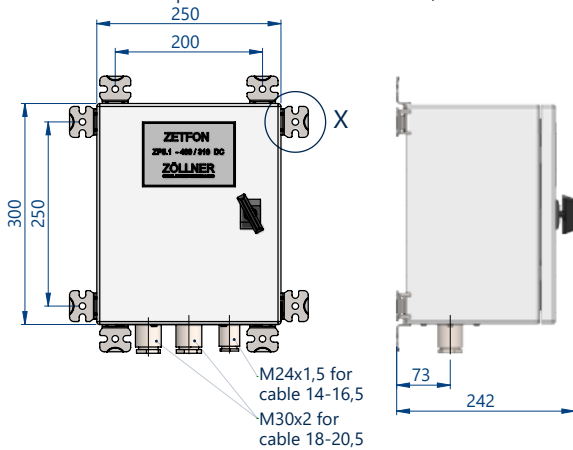
- » broad frequency spectrum with many higher harmonics
 - » signals with strong overtones for best penetration of background noise level
- Even when a background noise covers the actual basic frequency the residual tone forms a parent frequency in the human hearing. Two or three harmonics are sufficient for the hearing to perceive the basic frequency.
- » sound frequency of 310 Hz very advantageously ranks in the lower admissable range (250-700 Hz)

Advantages

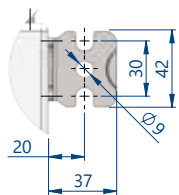
- » decades of experience
- » best material and workmanship - made in Germany
- » 90 degrees bent aluminum sound horn allows optimum discharge of spray, flood, condensation water or melted snow
- » standby heating to avoid condensed water
 - body heating for cold areas available on request
- » control and amplifier unit provided with protection against cross-connection of terminals
- » low power consumption of 500 W
- » easy installation
 - only one 2-core cable required for standard design
 - relatively low weight
- » simple but matured design
 - easy exchange of all parts with onboard tools



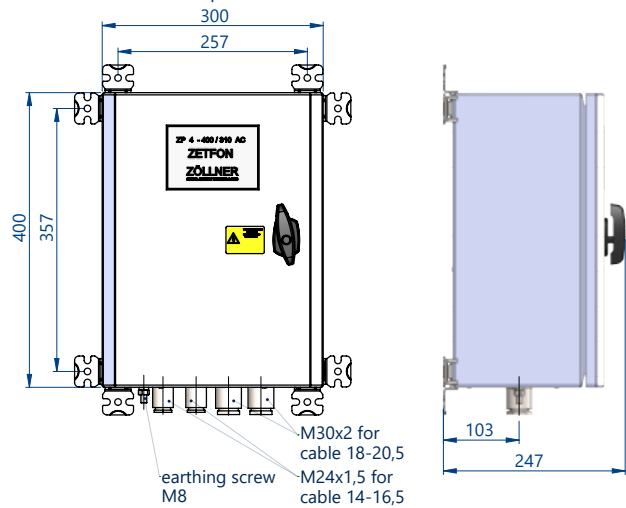
Schalt- und Verstärkereinheit ZP5.1 für ZETFON 400/310 DC
control and amplifier unit ZP5.1 for ZETFON 400/310 DC



X (1 : 2)



Schalt- und Verstärkereinheit ZP4 für ZETFON 400/310 AC
control and amplifier unit ZP4 for ZETFON 400/310 AC



type	ship length [m]	voltage	fundamental frequency [Hz]	sound intensity in 1/3rd-octave band level at 1 m distance		max input sounding [W]	standby heating [W]	body heating [W]	type approved	protection type	weight [kg]
				dB(A)	mind. IMO 1/3rd oct						
400/310 AC	20-<75	230 V AC +24 V DC	310	131	130	500	20	100	✓	IP 56	19.7+18
400/310 DC		24 V DC									-